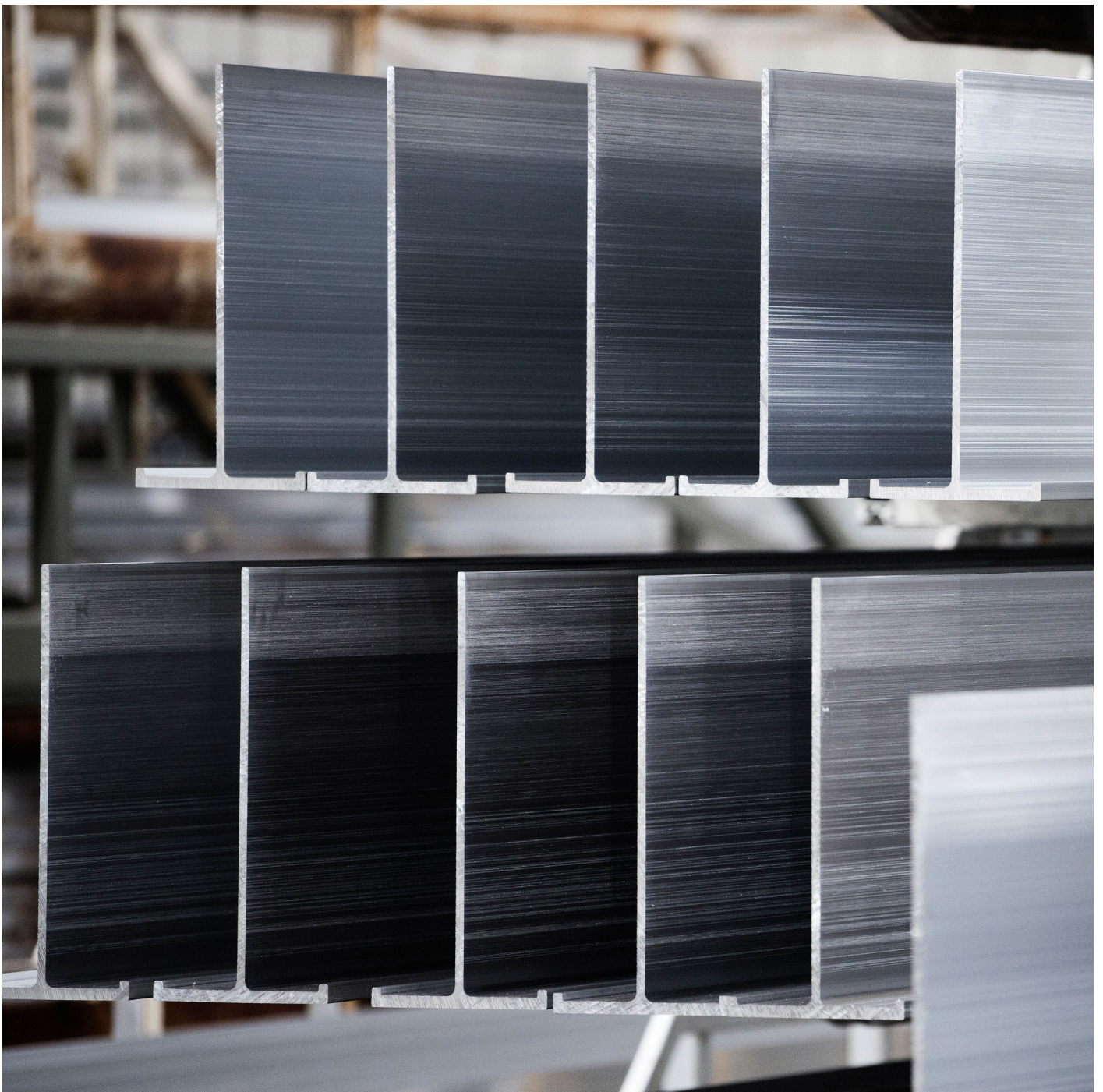




Big Aluminium Profiles Standard Catalogue



Contents

Big extrusions - Your benefits	3
Transport	5
Round Tubes	6
Square Tubes	8
Rectangular Tubes	9
Flat Bars	10
T-Shapes	11
U-Shapes	12
Z-Shapes	13
I-Shapes	14
Standard Tent Profiles	15
Connector profiles	16

Big extrusions

Your benefits

Our biggest extrusion press in Lichtervelde offers a press force of 8200 tonnes. That means we can increase the width of the profiles to a full 620 mm wide, a weight of 65 kg per meter and up to 26 meters long.

Superior tolerances - Simplified design

Because of the specific high pressure, we can still make the profiles thin-walled. This helps create lightweight components and material savings.

High pressure gives you tighter tolerances which simplifies your design work, production process and assembly time. You can achieve a high level of surface quality and improve your end product.

Strong and light

Big profiles offer big advantages for varied applications. As a substitution of steel, big aluminium profiles are not only much lighter, but an application based on aluminium will also be able to realize the same strength.

Accordingly, the weight of the whole construction will be reduced and the manufacture of assemblies simplified.

Applications for big profiles

Applications for big profiles vary widely, such as, for example:

- Wall sections for the railway industry
- Helicopter landing platforms for the offshore industry
- Boat masts
- Large components for machine and Medical Industry
- Building & Construction Industry
- Busbars for electrical conductivity

All functionalities in only one profile

Big profiles are not only strong and light, but thanks to the large freedom of shape that the extrusion process offers, it is possible to produce exactly the desired form.

Constructions may be simplified and optimized. It is for instance possible to replace the functionality of several components by one single big profile and to simplify by this the material flow and assembly.

Customized design or Standard profile?

Most of our profiles are customer-specific, because there is no standard solution for a specific problem.

But not every problem is so complex that only specially designed shapes bring the desired advantage.

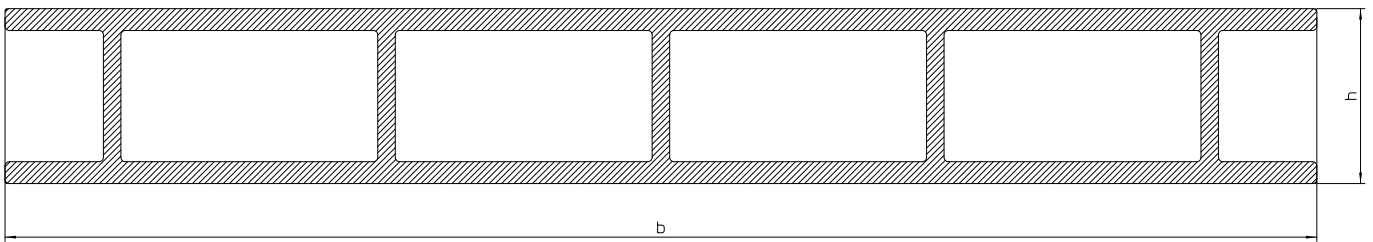
In this catalogue you will find our most common standard profiles that are available to you.

Contact us to discover the potential of our big profiles for your specific application.
(Click here)



Transport

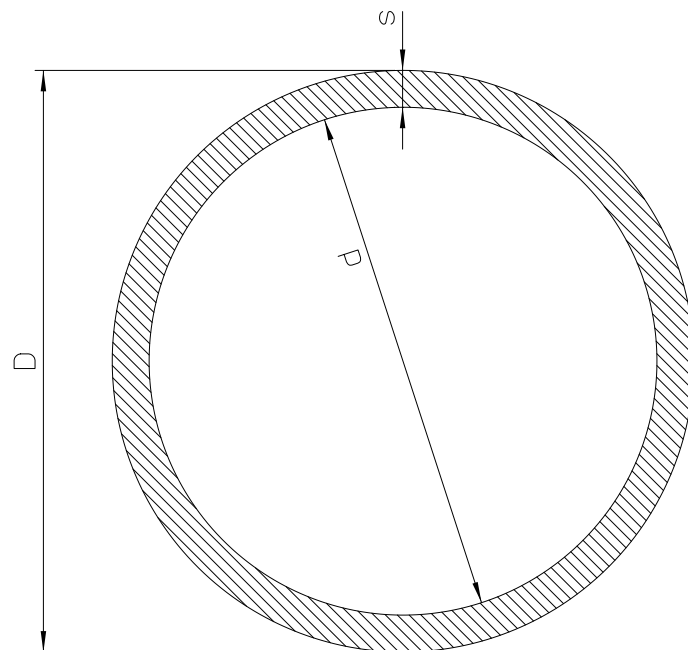
Profile Number	Loc.	weight/m	h	b
9107192	HW	6.281	30	300
451105	LC	8	40	300
2855	LC	9.891	29,5	600
1730035	LC	9.174	29,5	600
2913	LC	13.656	49,0	600



Round Tubes

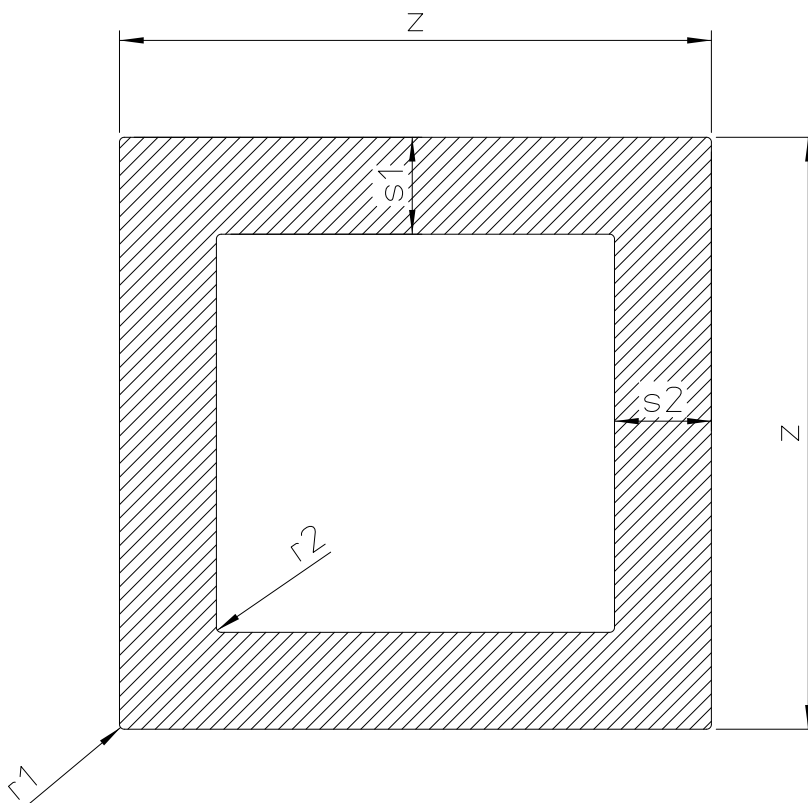
Profile number	Loc.	weight (kg/m)	D	d	s
3900133	DR	1.915	50	40	5
9104501	DR	3.746	63	47	8
3930056	HW	4.904	80	64	8
3900030	HW	3.299	80	70	5
19099	LC	7.662	100	80	10
3900087	HW	4.044	100	90	5
3900257	HW	2.075	100	95	3
3900271	HW	3.269	100	92	4
3930059	HW	6.243	100	84	8
9104801	HW	4.784	100	88	6
19075	LC	4.470	110	100	5
19134	LC	15.325	110	70	20
3900279	HW	2.733	110	104	3
19137	LC	7.183	120	105	7,5
9106822	HW	11.034	120	96	12
19145	LC	11.440	120	95	12,5
3900282	HW	2.988	120	114	3
3900304	HW	3.950	120	112	4
3900308	HW	9.365	120	100	10
3900326	LC	7.628	120	104	8
3900329	HW	4.895	120	110	5
19137	LC	7,157	120	105	7,5
3900145	HW	4.121	125	117	4
19150	LC	15.963	140	110	15
19161	LC	10.555	140	121	9,5
3930069	LC	10.242	141	123	9
19128	LC	9.672	150	134	8
19144	LC	9.099	150	135	7,5
19148	LC	17.240	150	120	15
3900278	HW	3.755	150	144	3
3910010	LC	15.793	150	123	14
9104571	HW	11.875	150	130	10
19148	LC	17,176	150	120	15
9105763	HW		150	136	7
19067	LC	7.867	160	148	6

Profile number	Loc.	weight (kg/m)	D	d	s
3930084	HAR	10.353	160	144	8
9106290	HW	12.770	160	140	10
3900228	HW	8.888	180	168	6
3930009	LC	11,715	180	164	8
19168	HW	9.910	200	188	6
19180	HW	13.100	200	184	8
3930021	HW	8.270	200	190	5
3930028	LC	16.176	200	180	10
19156	HW	8.727	210	200	5
19157	LC	16.483	250	234	8
3930002	HW	10.429	250	240	5
3930024	LC	14.482	250	236	7
3930027	LC	20.433	250	230	10
3930033	LC	22.383	250	228	11
3930036	LC	12.464	250	238	6
3930062	LC	24.315	250	226	12
3930032	LC	34.487	262	229	16,5
19185	LC	29.798	264	236	14
3930076	LC	28.246	300	277	11,5



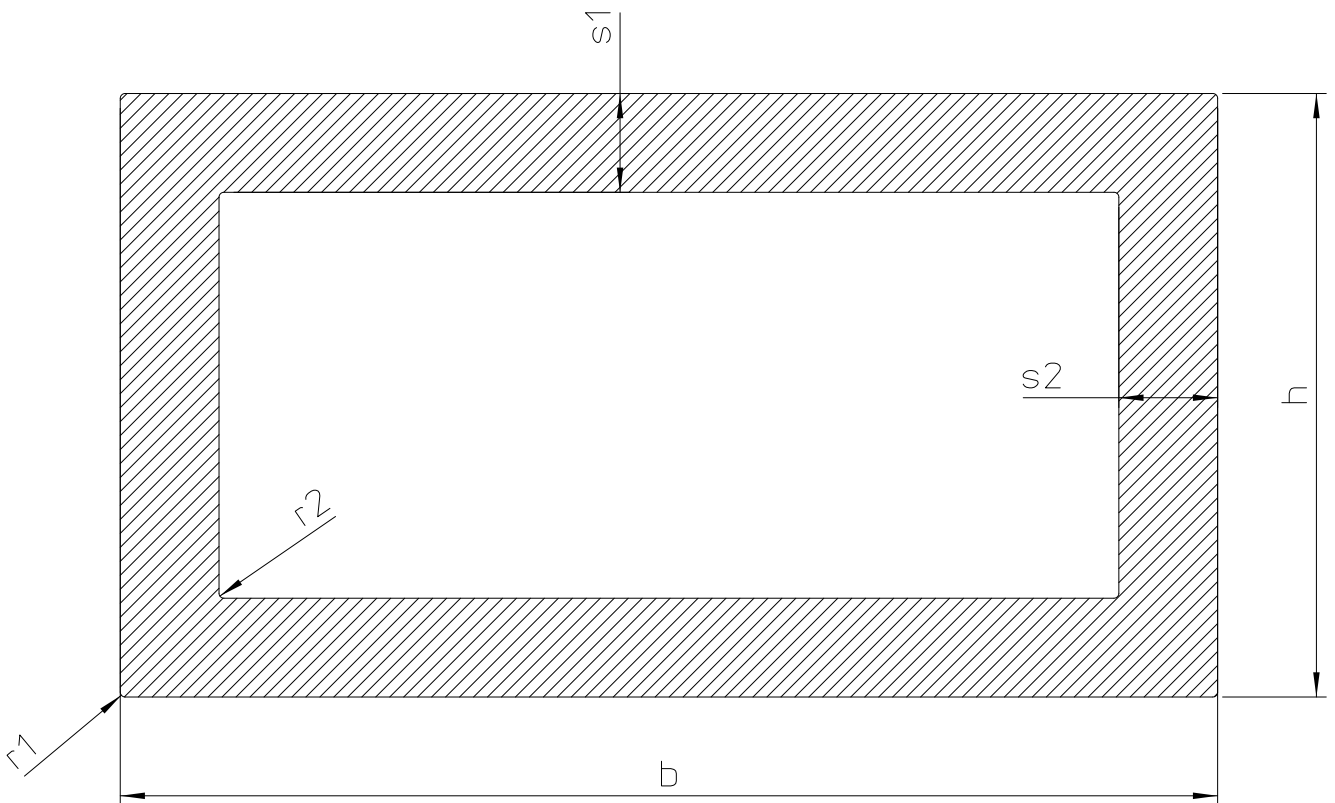
Square Tubes

Profile number	Loc.	weight/m	Z	s1	s2
711049	LC	6,091	100	6	6
1000150	HW	7,711	125	6	6
3030009	LC	10,639	150	7	7
712150	LC	18,233	180	10	10
711070	LC	16,612	200	8	8
9108352	HW	10,570	200	5	5
3030014	LC	26,016	250	10	10



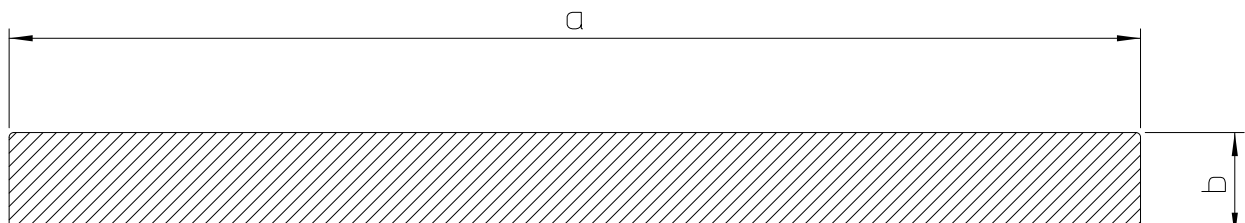
Rectangular Tubes

Profile number	Loc.	weight/m	h	b	s1	s2
712151	LC	13,897	100	180	10	10
2386	LC	11,275	140	220	6	6
2674	LC	14,992	152,40	187	8,5	8,5



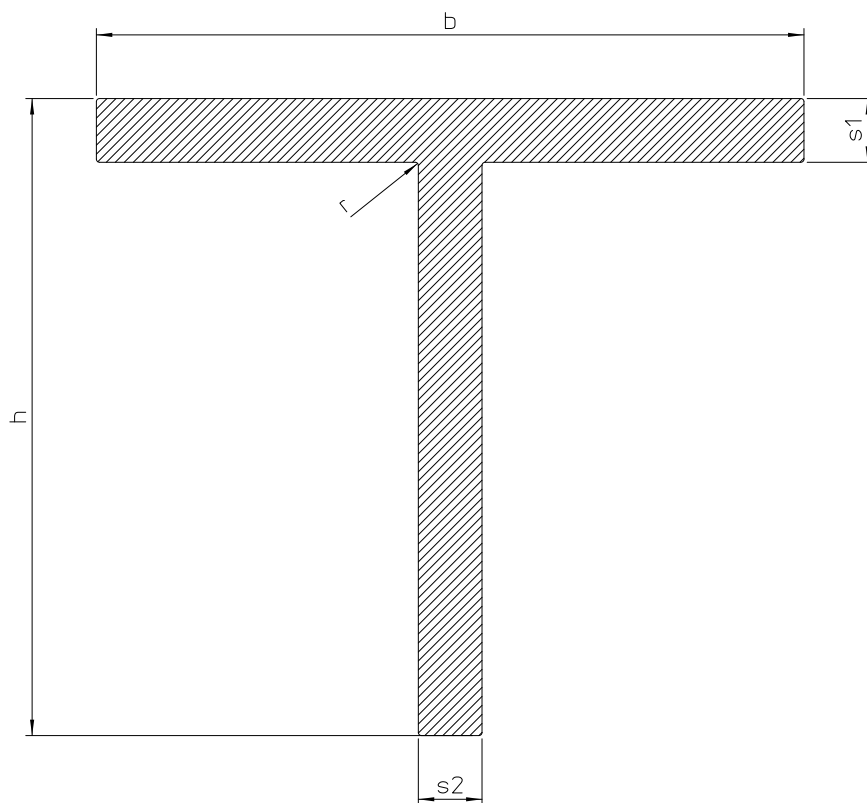
Flat Bars

Profile number	Loc.	weight/m	a	b
11373	LC	6,480	60	40
11374	LC	6,615	70	35
3500221	HW	6,480	80	30
11378	LC	6,075	90	25
3500133	HW	5,400	100	20
11352	LC	6,075	150	15
9101323	LC	33,606	150	83
3500141	HW	12,960	160	30
11609	LC	17,386	164	39
11610	LC	29,430	164	66
11293	LC	9,753	180	20
3530057	LC	19,503	180	40
2445	LC	7,487	185	15
3500173	LC	16,200	200	30
11573	LC	46,067	200	85
501719	LC	22,544	208	40
11393	LC	8,505	210	15



T-Shapes

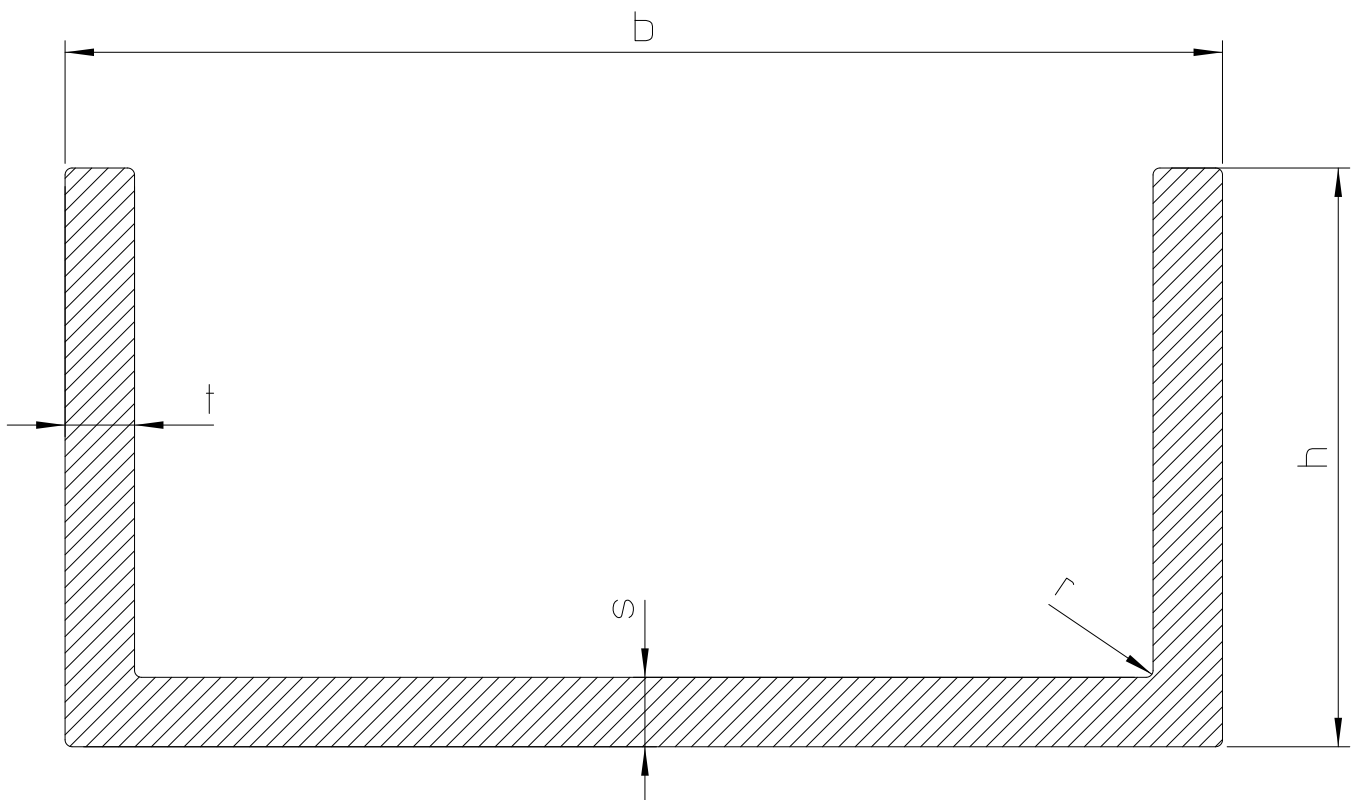
Profile number	Loc.	weight/m	h	b	s1	s2
31720014	LC	12,3	174	130	15	15
2351	LC	9.556	235	170	10	8
630069	LC	8.282	260	150	12	5
2774	LC	18.731	440	200	17	8 added mass at the tips, 20mm over 20mm



U-Shapes

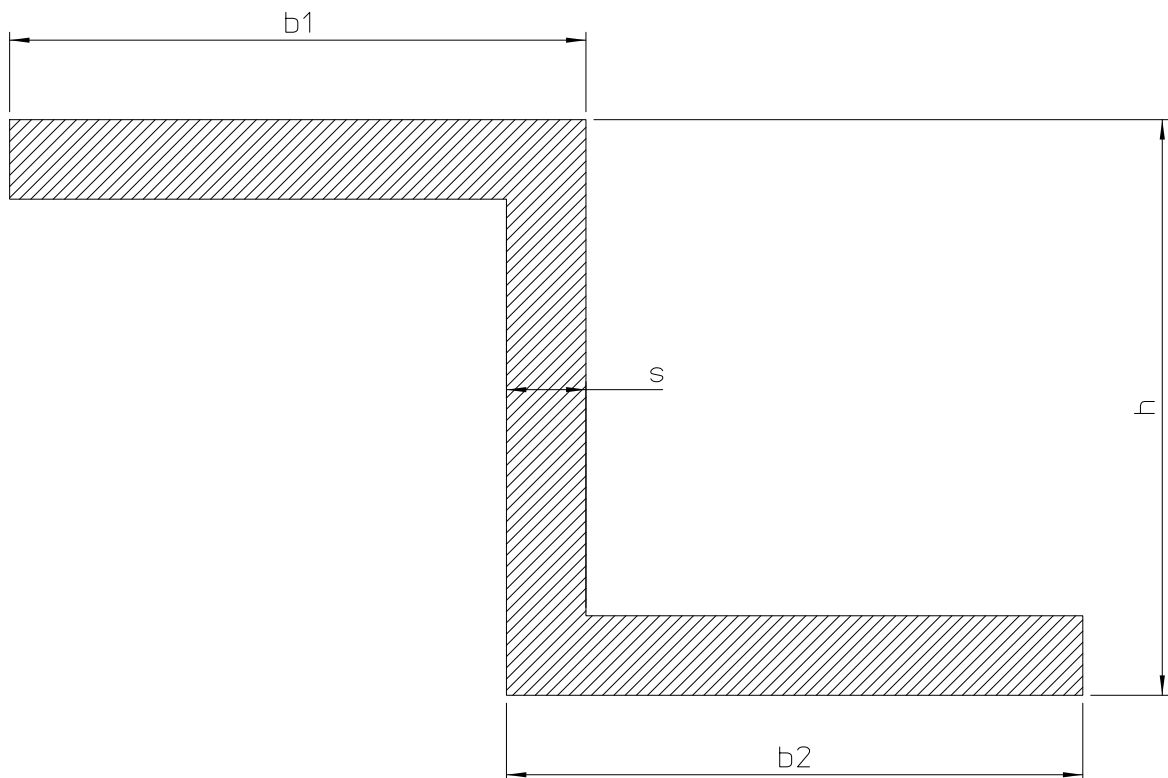
Profile number	Loc.	weight	h	b	t	s
13726	HW	4.985	65	200	5	7
13766	HW	6.782	65	200	8	8
2389	HW	8.451	65	203,2	7,94	12,7
13633	HW	7,02	70	140	10	10
3330015	LC	16,039	70	350	12	12
13792	LC	12,171	75	200	14	14
13792	LC	12,171	75	200	14	14
3300226	HW	6,566	80	160	8	8
3300197	LC	7,04	80	180	8	8
3300192	GH	9,18	80	200	10	10
685718	LC	8,377	100	200	8	8
2398	LC	13,63	200	200	10	8

with details



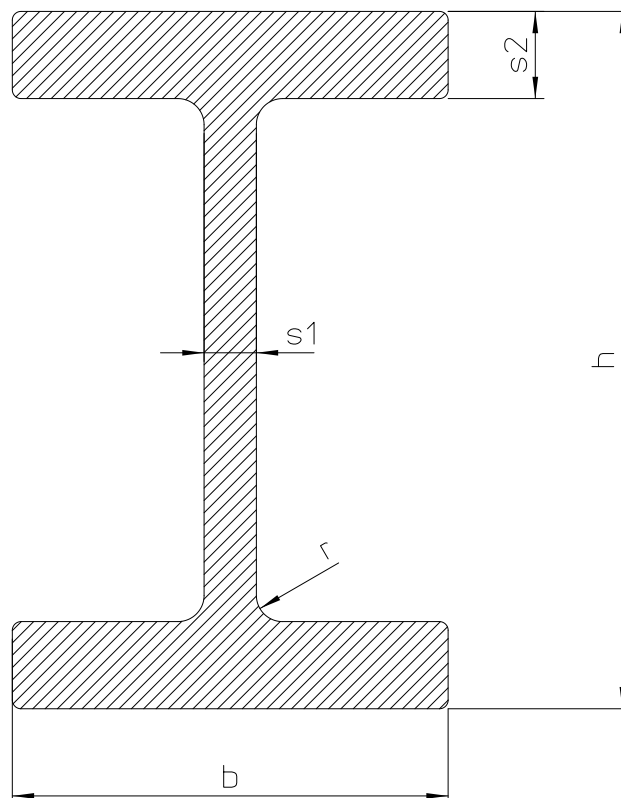
Z-Shapes

Profile number	Loc.	weight/m	h	b1	b2	s
2352	LC	10.922	226	100	100	8



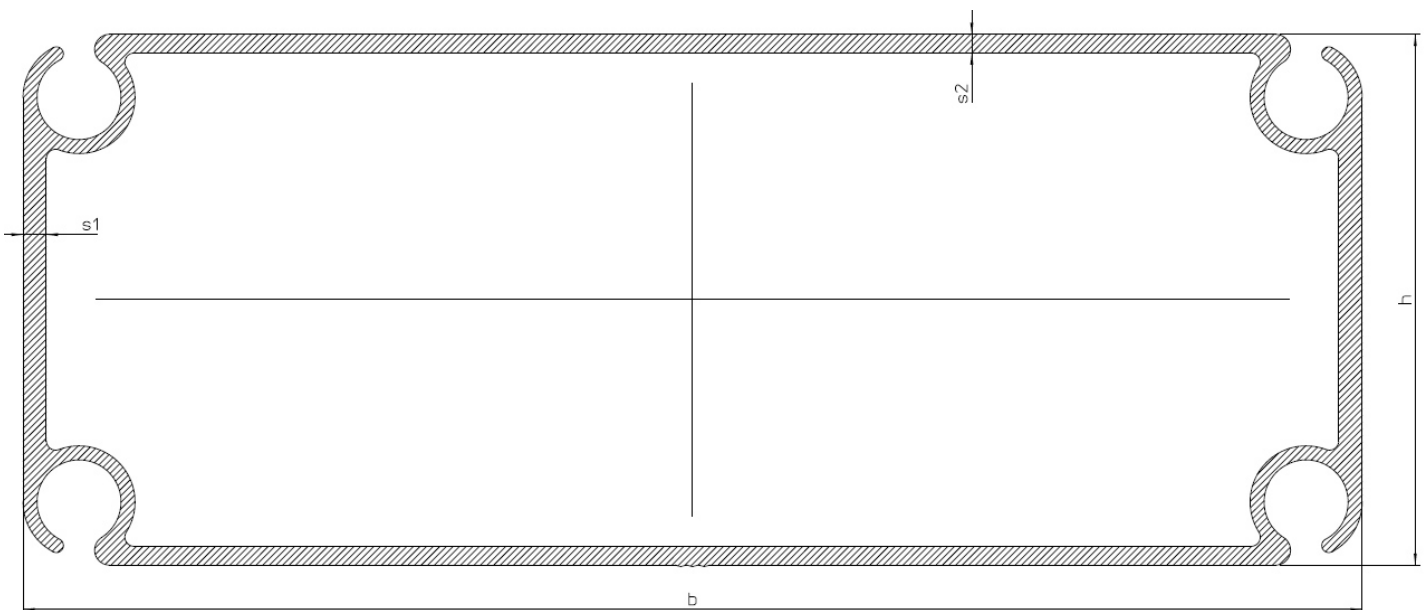
I-Shapes

Profile number	Loc.	weight/m	h	b	s1	s2
3730020	LC	3,073	127	80	4	4
3700013	HW	8,672	120	120	8	10
3700028	HW	8,874	140	140	8	8
3230019	LC	14,266	300	150	8	10
3730001	LC	15,901	300	181	10	8
3700029	LC	16,990	170	170	13	13
3230018	LC	18,476	300	200	10	10
3730012	LC	19,779	470	180	11	7,5
601724	LC	20,006	250	170	10	15
3730004	LC	21,040	300	160	12	14
3730019	LC	22,607	342	220	11	11
3730031	LC	45,400	300	300	19	19



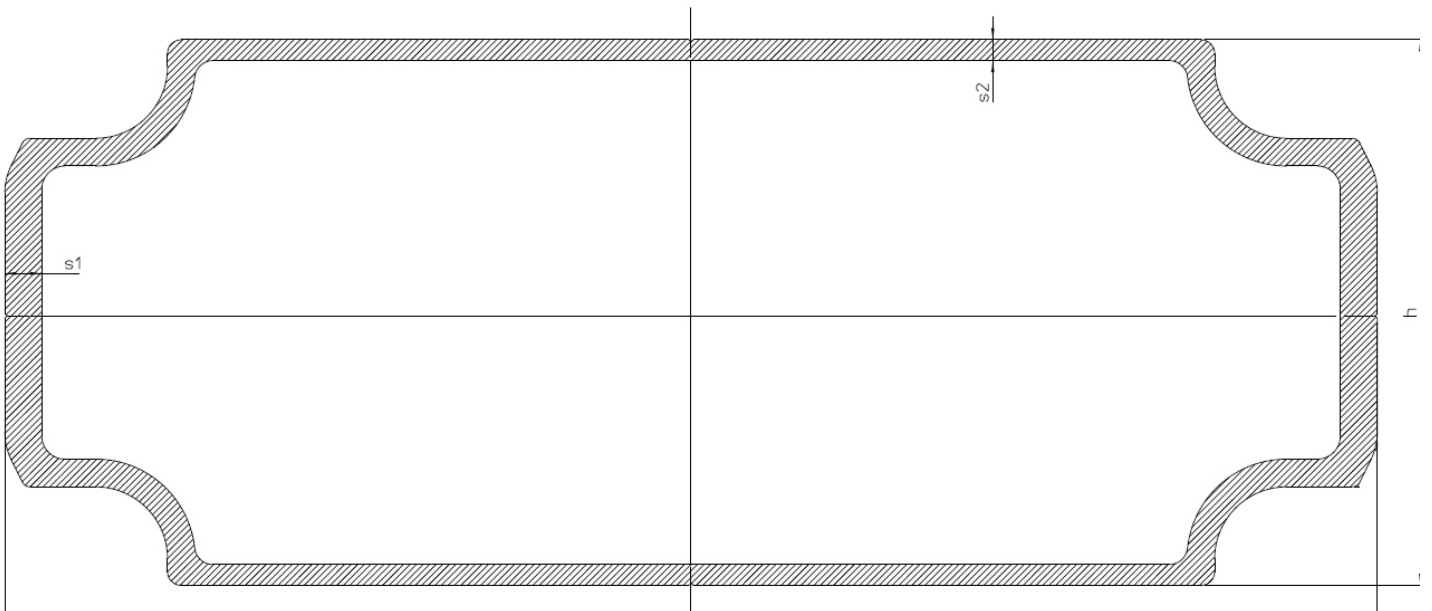
Standard Tent Profiles

Profile number	Loc.	weight/m	h	b	s1	s2
30510006	LIC	15,910	112	320	8,5	6 (ribbed surface)
451779	LIC	15,140	122	334	8	4,5 (with added mass)
1030037	HAR	12,525	122	300	6	4
451473	LIC	9,675	122	252	4	4 (with added mass)
451187	HAR	11,760	130	310	4,5	4,5



Connector profiles

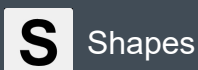
Profile number	Loc.	weight/m	h	b	s1	s2
451787	LIC	22,36	111	315	32,5	4,5 (with added mass)
451188	LIC	11,39	118	297	8	4,5



Big extrusions online

www.hydro.com/big-be

Follow us



Products and services Industries About aluminium Sustainability Careers Investors Media

Products and services

- Extruded profiles
 - Tailored solutions
- Finished products
- Custom-made dies
- Alloys for extruded profiles
- Responsible aluminium profiles made in Benelux
- Building systems
- Rolled products
- Precision tubes
- Welded tubes
- Poles
- Cashouse products
- Low-carbon aluminium
- Bauxite & alumina
- All products
- Services
- Education in aluminium
- Innovation and R&D

Products and services / Extruded profiles / Responsible aluminium profiles made in Benelux / Extruded pr

From small to BIG, extruded profiles made in Benelux

The widest range in aluminium profiles : Small & m profiles - Surface treatment - Mechanical treatment Welded tubes

Aluminium profiles that suit your needs



Our closely cooperating te



Search

Home My Network

Supermetrics for BigQuery - Set up a marketing data wareho



Norsk Hydro

Mining & Metals · Oslo, Oslo · 72,267 followers

Shapes.

The Aluminium Design Knowledge Hub.

Manufacturing
How you can lightweight cars with superplastic forming
By Reinhard Prizla^{Hydro} May 14, 2019

Accueil À propos

Recherches sur Twitter Rechercher Vous avez déjà un compte ? Se connecte

Shapes.

Shapes
Design · 352 followers

Hydro



Industries that matter

Hydro Extrusion Lichtervelde N.V.
Kortemarkstraat 52 - B-8810 Lichtervelde
T +32 51 729 811

Hydro Extrusion Harderwijk
Industrieweg 15 - NL-3846 BB Harderwijk
T +31 341 464 411

Hydro Extrusions is a world-leading aluminium extrusion business counting around 100 production sites in 40 countries and employing 20,000 people. Through our unique combination of local expertise, global network, and unmatched R&D capabilities, we can offer everything from standards profiles, to advanced development and manufacturing for most industries.

Since 1905, Hydro has turned natural resources into valuable products for people and businesses with focus on a safe and good workplace for our 34,000 employees in more than 140 locations.

Hydro is committed to leading the way in shaping a sustainable future and in doing so, creating more viable societies by developing natural resources into products and solutions in innovative and efficient ways to industries that matter.